


Golden Turbine® GT

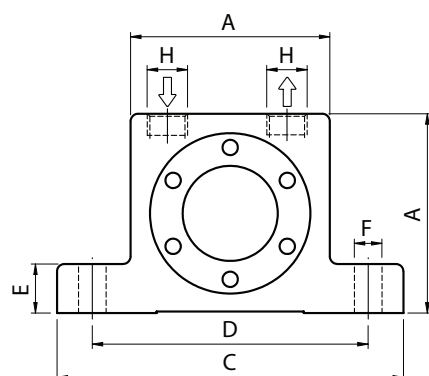
High speed and excentric working torques for strong vibration. Wide range.

Properties

- Lubrication-free
- Low noise level
- Strong vibration by high speed and excentric working torques
- Rated frequency 6'000 – 46'000 rpm
- Centrifugal force 130 – 12'000 N
- Continuously variable
- Applicable up to 120°C, HT version on request
- Resistant against extreme environmental conditions
- Also available with ATEX certification 

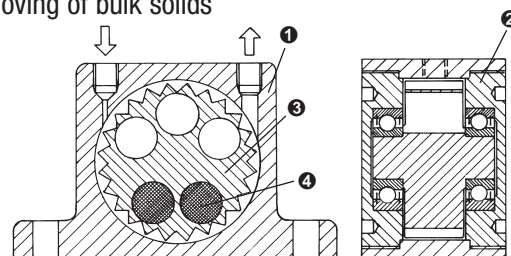
Construction

- Vibration by the centrifugal force of positive and negative imbalanced torques in the rotor.
- Rotor on two pre-lubricated and enclosed ball bearings arranged in pairs. Lubricated with special grease for long life.



Field of application

- Emptying of bunkers
- Screen filters
- Vibrating tables
- Preventing adhesions in pipelines and silos
- Transporting of fine powders
- Moving of bulk solids



- ❶ Housing of extruded aluminium alloy, powder-coated
- ❷ Aluminium caps
- ❸ Rotor in hard anodized aluminium
- ❹ Imbalance weight

Dimensions and weights

Model	A [mm]	Width [mm]	C [mm]	D [mm]	E [mm]	F [mm]	H Thread	Weight [kg]
GT-4 / 6	40	28	70	56	10.5	6	G 1/8"	0.17
GT-8 / 10	50	33	86	68	12	7	G 1/8"	0.25
GT-13 / 16	65	42	113	90	16	9	G 1/4"	0.58
GT-20 / 25	80	56	128	104	16	9	G 1/4"	1.12
GT-30 / 36	100	73	160	130	20	11	G 3/8"	2.30
GT-40 / 48	120	86	194	152	24	17	G 3/8"	3.89

Technical data

Model	Vibrations [x 1000 min ⁻¹]			Centrifugal force [N]			Air consumption [l/min]		
	2 bar	4 bar	6 bar	2 bar	4 bar	6 bar	2 bar	4 bar	6 bar
GT-4	14.0	15.0	15.0	135	180	200	33	58	83
GT-6	11.5	12.0	12.5	130	175	210			
GT-8	36.0	42.0	46.0	990	2'060	2'910	46	80	112
GT-10	27.5	35.0	37.5	840	1'390	2'400			
GT-10-S	17.0	23.0	25.0	650	1'350	1'950	120	200	290
GT-13	26.0	30.0	33.0	1'400	2'440	3'730			
GT-16	17.0	21.5	24.0	1'220	2'090	3'160			
GT-16-S	11.5	15.5	17.0	1'100	1'900	2'700	185	325	455
GT-20	17.0	20.0	23.0	2'170	4'040	5'520			
GT-25	12.0	15.5	17.0	2'120	3'510	5'070			
GT-25-S	8.5	11.0	13.0	2'250	3'600	4'900	330	530	745
GT-30	13.0	14.0	16.0	3'380	5'430	7'540			
GT-36	8.0	10.0	13.0	3'290	5'360	7'190			
GT-36-S	6.1	7.2	8.3	4'100	6'200	7'500	425	700	970
GT-40	7.7	8.8	9.5	4'300	7'300	9'800			
GT-48	6.0	7.5	9.7	4'900	7'700	10'500			
GT-48-S	-	5.6	6.3	-	7'500	12'000			